

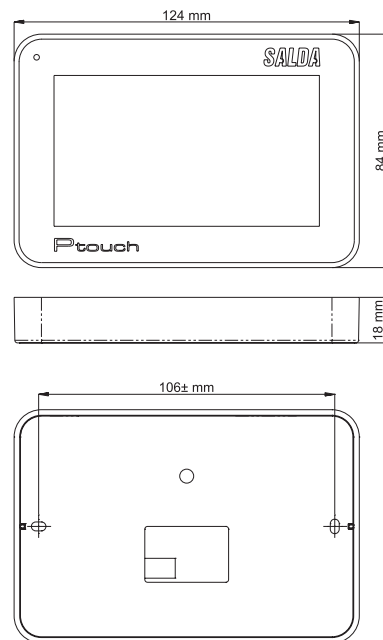
Remote controllers

No.	Control board	AHU	Ptouch	Stouch	FLEX	MB-Gateway
1	EKR-KE	VEGA E (Electrical)		✓	✓	
2	EKR-KW	VEGA W (Water)		✓	✓	
4	EKO_107: KSECEC	VEKA INT EKO E (Electrical)		✓	✓	
5	EKO_107: KSWCEC	VEKA INT EKO W (Water)		✓	✓	
6	PRV V1.1	RIS/RIRS 3.0		✓	✓	✓
7	PRV V2.3	SMARTY 3X VEL/VER	✓	✓	✓	✓
8	PRV V2.5	RIS/RIRS EKO 3.0 / EC 3.0	✓	✓	✓	✓
9	MCB	Smarty 2R VE	✓	✓		✓
10	MCB mini	Smarty 2XV, 2XP, 3XP, 3XV	✓	✓		✓

Controllers

	Ptouch Smart control, professional adjusting	Stouch Easy control, optimal adjusting	FLEX Simple control, advanced adjusting
Display	LCD 65k colours	Segment	LCD Monochrome
One touch control		✓	
Child lock	✓	✓	
Touch sound feedback	✓	✓	
Modbus communication protocol	✓	✓	
Software updates via SD card	✓		
Sleep mode	✓	✓	✓
0-10 VDC output/input		✓	
Frame			
Dimensions H/L/W [mm]	84/124/16	84/84/22	86/86/19
Date and time	✓		✓
Language selection	✓		✓
Supply air temperature	✓	✓	✓
Set point temperature	✓	✓	✓
Fan speed	✓	✓	✓
Humidity level	✓		✓
CO2 level	✓		✓
Menu	✓		✓

Remote controller



Title	Article No.
Ptouch	PRGPU081

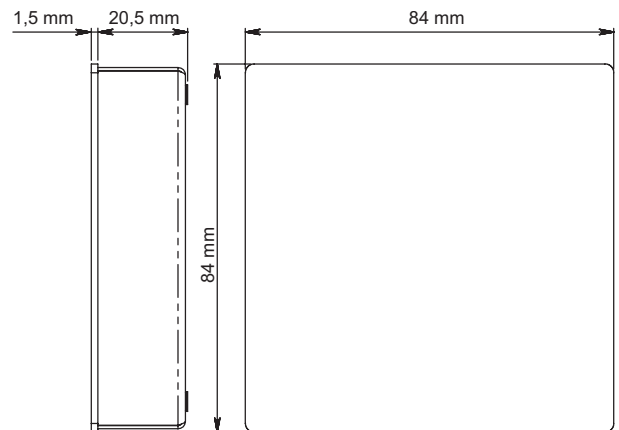
Ptouch is designed for modern expert handling of new generation SALDA AHUs.

- › Simple and user-friendly air handling units' control: capacitive 4.3" touchscreen with multilingual interface;
- › Contemporary design integrates into the interior;
- › Child lock;
- › Power saving "standby" mode;
- › Adjustment of screen brightness;
- › Alarm indication by sound;
- › Automatic recognition of control board;
- › Modbus master mode;
- › Possibility to keep the firmware always up-to-date: easy to upgrade with Micro SD card;
- › Informative screen: temperature, operation modes, fan speed, date/time, extract/outdoor air temperature, humidity.
- › Easy adjustment of control board settings: fan speed, temperature, boost, calendar event, humidity, CO2 level and etc.
- › Expert level control possibilities: interface with full control of control board functions.

Technical data		
Mounting		Surface
Voltage	[AC/DC]	24 (max 4W)
Communication line		ModBus RS485/RS422
Cable length	[m]	13
Dimension (WxHxD)	[mm]	124x84x18
Protection class		IP-20
Ambient temperature	[°C]	5 - 35 (50*)
Relative humidity	[%]	30-90(without condensation)

Stouch

Remote controller



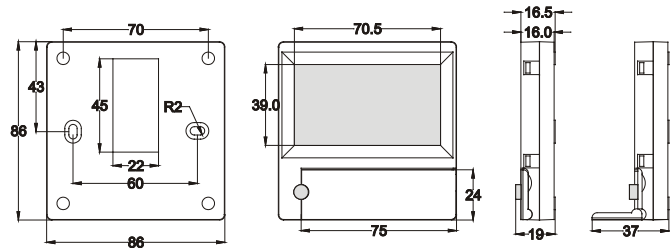
Title	Article No.
Stouch	PRGPU051

Stouch controllers specially designed for easy control of Salda Air handling units.

- › No complex features: ideal for facilities with occasional or novice users (e.g. hotels, offices, schools and etc.);
- › 4 configurable speeds (indicated pressure or velocity as a percentage);
- › Boost function;
- › On/Off function;
- › Display of fan speed;
- › Display of warnings;
- › Constant pressure control with external pressure sensor;
- › Carbon dioxide level control with external CO2 sensor;
- › Modbus master/slave modes.
- › One-touch sensory control, sound response;
- › LED and digital indication;
- › Sleep mode;
- › Blocking of turn off;
- › Child lock.

Technical data		
Supply voltage	[VDC]	24VDC ± 10% / 24VAC ± 10%
Communication line		RS-485
Dimensions (WxHxL)	[mm]	84x84x22
Protection class		IP30
Ambient temperature	[°C]	10 to 40
Ambient humidity	[%]	10-80 (non-condensing)

Control panel



Title	Article No.
FLEX	PRGPU015

Flex was designed for expert SALDA AHUs.

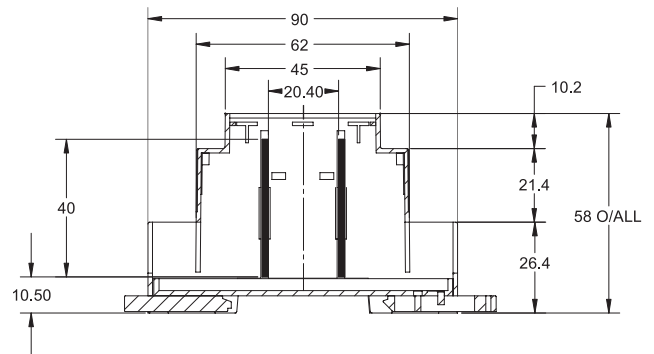
- › Controls wide range of Salda air handling units;
- › Expert level control settings;
- › Simple interface;
- › Automatic recognition of the controlled unit.
- › Display of supply/set air temperatures, date/time, fan speed, operation mode.
- › Multilingual settings;
- › Possibility to set calendar event, review alarms, sensors values, CO2 level, humidity level and etc.
- › Fault and alarm indication.

Technical data:

Supply voltage	[VDC]	15..30
Communication line		RS 485
Dimensions (WxHxL)	[mm]	86x86x16
Protection class		IP20
Ambient temperature	[°C]	10-30(50*)
Ambient humidity	[%]	<90

MB-Gateway

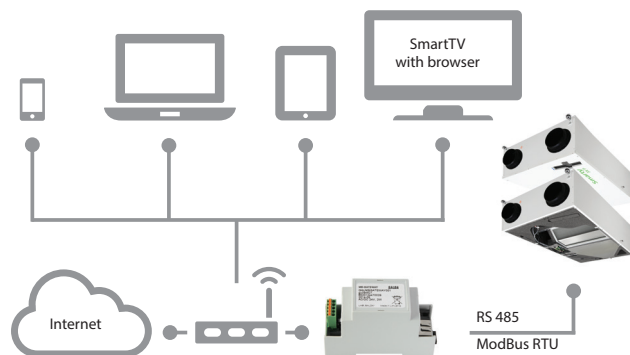
Network module



Title	Article No.
MB-Gateway	GAUMBGATEWAY001

MB-Gateway enables ventilation units, based on control technology produced by Salda, to connect via TCP/IP to the wide range of control devices.

- › Remote air handling unit's control via PC through the home network or internet;
- › A three-level menu: user/service/adjuster;
- › User friendly, multilingual and up-to-date interface.
- › Informative interface screen on your control unit: temperature, operation modes, fan speed, date/time, extract/outdoor air temperature, humidity.
- › Easy adjustment of control board settings: fan speed, temperature, boost, calendar event, humidity, CO2 level and etc.



Technical data:

- › TCP/IP Modbus gateway;
- › IPV4 protocol;
- › WEB server;
- › FTP server;
- › Building of Modbus commands using HTTP requests;
- › Authorized connection;
- › Automatic data communication between Modbus units;
- › Updating of the module firmware using MicroSD memory card or FTP client;
- › RT clock;
- › Galvanically isolated RS485 communication line.

Technical data

Mounting		Surface, DIN Rail
Voltage	[AC/DC]	12V - 25V (2W) (supplied with AC/DC adapter)
Communication line		Ethernet RJ45 ModBus RS485
Cable length	[m]	UTP cable (0.5 m) RS485 communication cable with RJ11 plugs (2 m)
Dimensions (WxHxD)	[mm]	90x62x58
Protection class		IP-20
Ambient temperature	[°C]	-20 - 70
Ambient humidity	[%]	30-85 (without condensation)